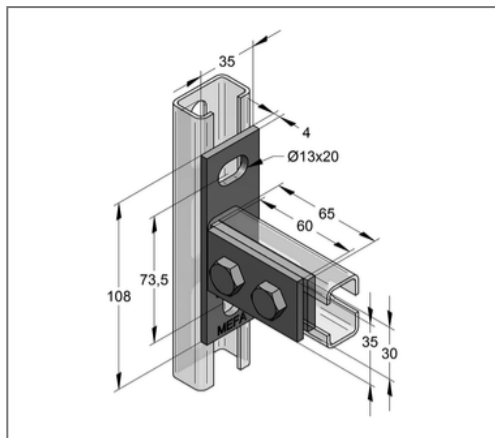
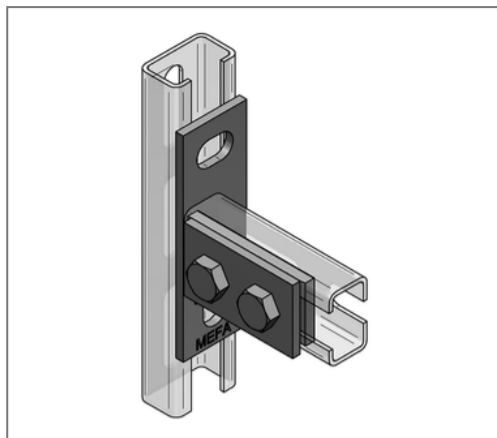


■ Connector C-profile 35 vertical for C-profile 35, Stex 35 galv.



Commercial details

Part no.	081655802
EAN/GTIN	4250928457219
Packing unit	20 pcs
Quantity unit	pcs
Weight	0,283 kg/pc
Product group	02-081
Price unit	1

QR code



Specification

Application area	connector to connect two profile rails.
Profile type	35, Stex 35
Profile	C-profile
Type of attachment	not applicable as ceiling support or vertical use (hanging), no use as console connection
Scope of delivery	2-hole threaded plate and hexagon screw

Technical data

Material	Steel
Material type	S235
Surface	galvanized

Product details

Elongated hole	13x20 mm
Length plate	108 mm
Width plate	35 mm
Plate thickness	4 mm
Alignment of plate	vertical
Hole distance	73,5 mm
max. profile height	42 mm